

KR01 IAQ Relay Controller

Product Summary

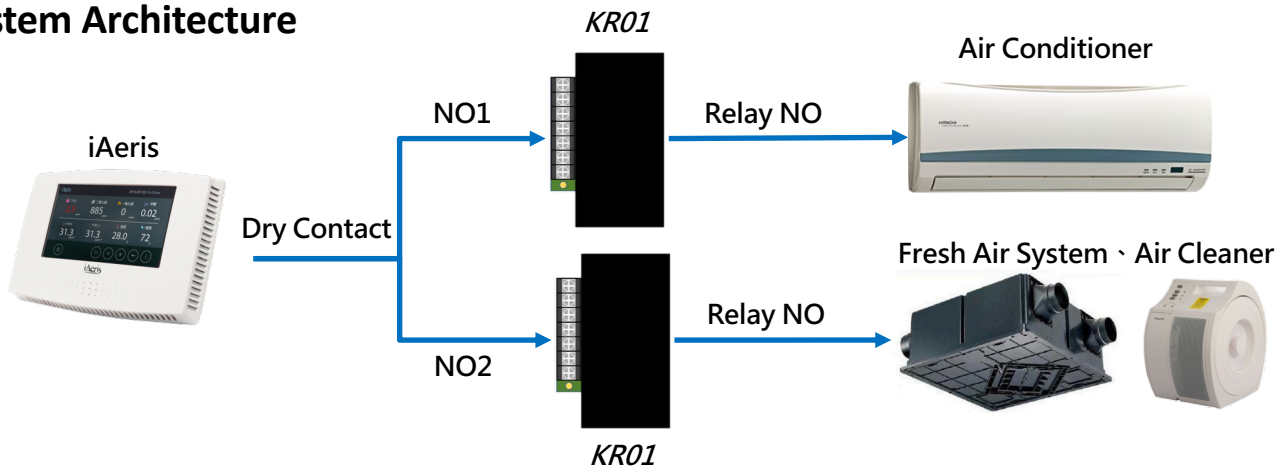
The KR01 IAQ Relay Controller is used to control between the dry contact output of iAeris and the improvement system.

The Controller is equipped with a set of dry contact input terminal and a set of relay output. The ON/OFF of dry contact can be used to control the improved equipment that connected to the relay terminal.

The KR01 adopts terminal block, which is easy for engineers to install and repair. Relay LED can indicate the control status of improved equipment.



System Architecture



Connect Terminal

L,N	Input	AC Power Terminal : 100 - 240V AC
DI+	Input	Dry Contact Terminal : NO
DI-	Input	Dry Contact Terminal : COM
NO,NC	Output	Relay Terminal : NO/ Normal Open , NC : Normal Close
COM	Output	Relay Terminal : COM

Specification

Input	One set of dry contact
Output	One set Relay Controller (NO / NC) · 10A 240VAC, 10A 24VDC
Power	100 - 240V ~ 50/60 Hz, 0.2A
Operation Env.	0°C ~ 40°C , 20% ~ 80%
Size	95mm(L) x 62mm(W)x 39mm(H)

Sysinno Technology Inc.
17F.-7, No.27, Guanxin Rd., Hsinchu City 300,
Taiwan (R.O.C.)
Phone +886-3-5730550
Fax +886-3-5799995
service@sysinnotec.com
www.sysinnotec.com

